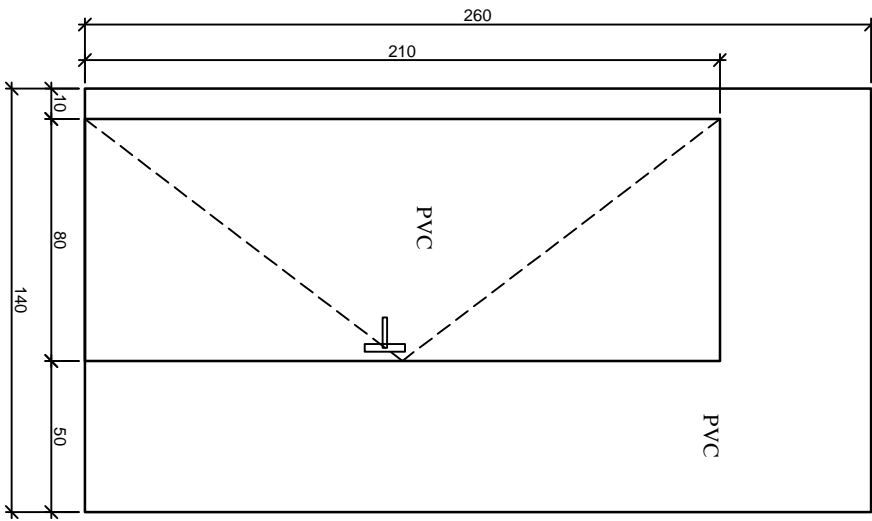
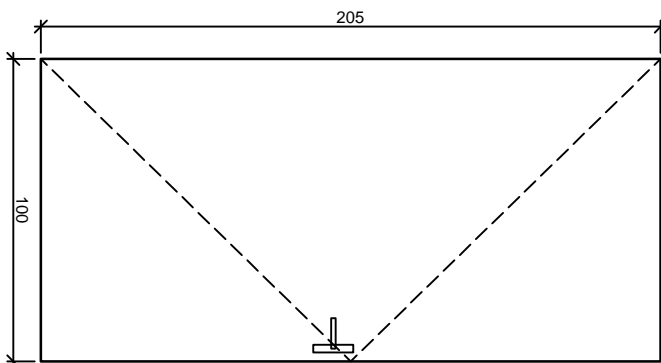


.1:
.160 220



.2a:
.140 260 PVC PVC
.80 210



.2:
.80 210 PVC